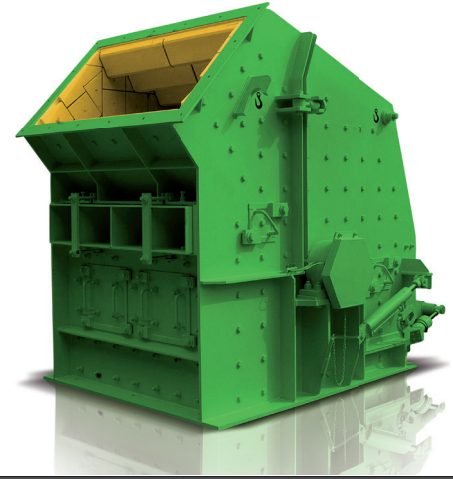


SERIES

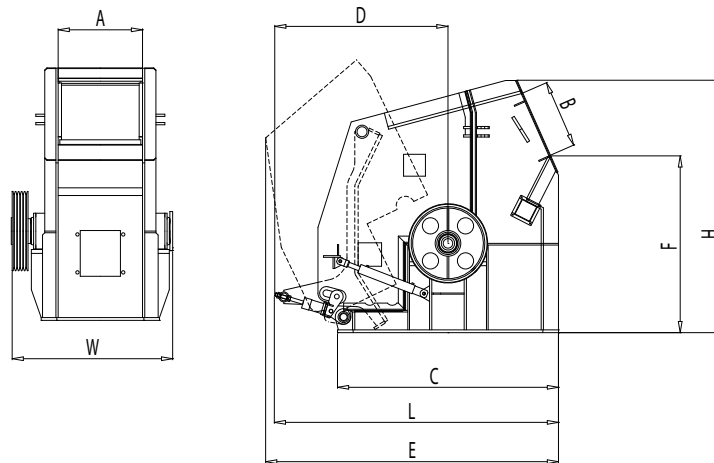
SU

IMPACT CRUSHER



Technical data									
Type	Dimensions in mm								
	L	W	H	A	B	C	D	E	F
SUG 550	2800	1315	2370	550	600	1980	1610	2820	1750
SUG 700	2800	1470	2370	700	600	1980	1610	2820	1750
SUG 1100	2800	1875	2370	1100	600	1980	1610	2820	1750
SUG 1400	2800	2210	2370	1400	600	1980	1610	2820	1750
SUG 1950	2800	2910	2465	1950	600	1980	1660	3075	1850
SUP 1100	2800	1875	2370	1100	600	1980	1610	2820	1750
SUP 1400	2800	2210	2370	1400	600	1980	1610	2820	1750

Type	Feed opening	Max. feeding size	Output up to	Rotor speed	Power requirement	Output with 30 mm sieve	Weight
	mm	mm	t/h	n/min	kW	%	kg
SUG 550	500 x 600	300	70 - 110	530 - 830	75 - 110	70 - 80	7800
SUG 700	700 x 600	300	85 - 130	530 - 830	90 - 132	70 - 80	9100
SUG 1100	1100 x 600	300	140 - 220	530 - 830	132 - 200	70 - 80	12200
SUG 1400	1400 x 600	300	170 - 300	530 - 830	160 - 315	70 - 80	13600
SUG 1950	1950 x 600	300	240 - 420	530 - 830	250 - 450	70 - 80	21200
SUP 1100	1100 x 600	400	140 - 220	530 - 830	132 - 200	60 - 70	14000
SUP 1400	1400 x 600	400	170 - 300	530 - 830	160 - 315	60 - 70	17300



COLOUR

COMEC offers the opportunity to customize both your equipment and production lines with your desired colours, in order to support your own corporate design.

Features and sizes are not binding and Comec-Binder S.r.l. reserves to effect modifications or improvements for commercial and technical reasons at any moment and without notice.