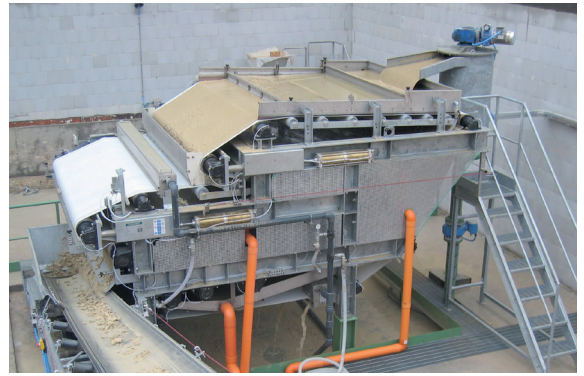


SERIES

NPC/E

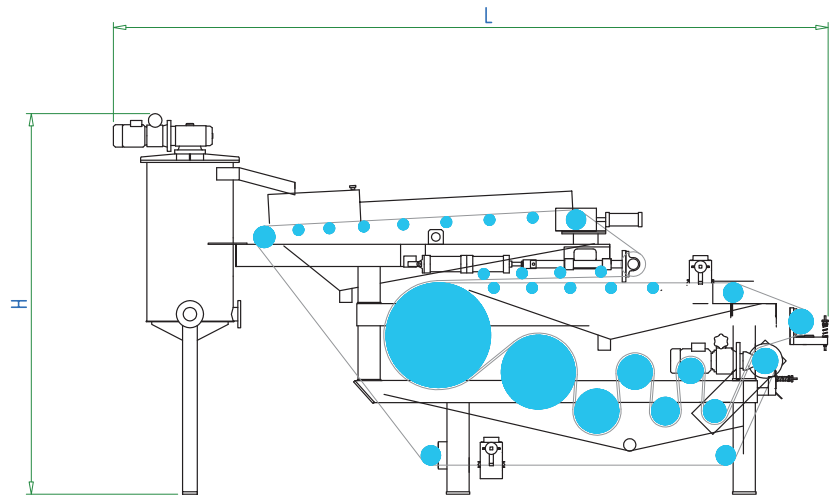
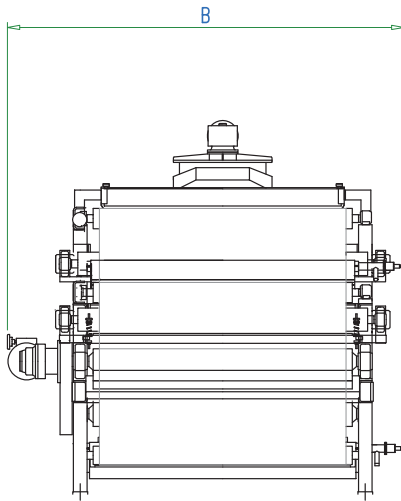
BELT FILTER PRESSES



Technical data								
Type	Width of filtering belts	Type of belts	Width of the machine mm	Length of the machine mm	Height of the machine mm	Weight t	Belt drive (kW) (adjustable speed)	Sludge reactor (kW)
NPC 2000/E	2000	jointed	3100	5520	3000	9,5	3	1,5
NPC 2500/E	2500	jointed	3600	5500	3200	10,8	4	1,5
NPC 3000/E	3000	jointed	4685	6035	3240	11,8	4+4	2,2

Technical data				
Type	H ₂ O consumption for belt washing at 6 bar m ³ /h	Air consumption m ³ /h	Dewatering capacity* (quarry sludge) m ³ /h	Flocculant consumption t/h S.S.
NPC 2000/E	15	8	7-14	according to the type of sludge
NPC 2500/E	25	8	10-17	
NPC 3000/E	30	10	13-21	

* according to the type of sludge



COLOUR

COMEC offers the opportunity to customize both your equipment and production lines with your desired colours, in order to support your own corporate design.

Features and sizes are not binding and Comec-Binder S.r.l. reserves to effect modifications or improvements for commercial and technical reasons at any moment and without notice.