

SERIES

LSB

WASHING DRUM

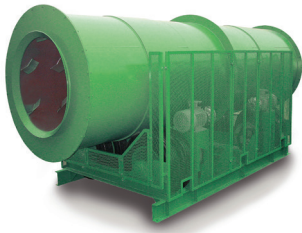


BUILDING RAW MATERIALS

Clarification of difficult material

COMEC 

www.comec.it



TASK

Washing drums are used for the washing and clarifying of raw materials and are often a prerequisite for the efficiency of the subsequent process steps.

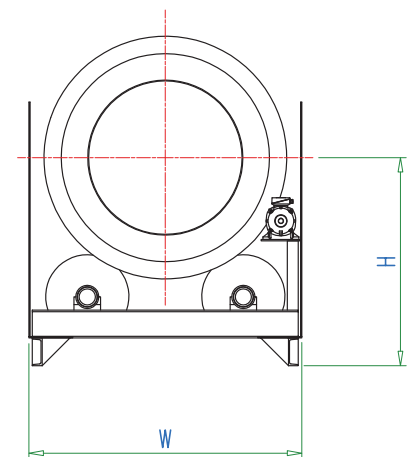
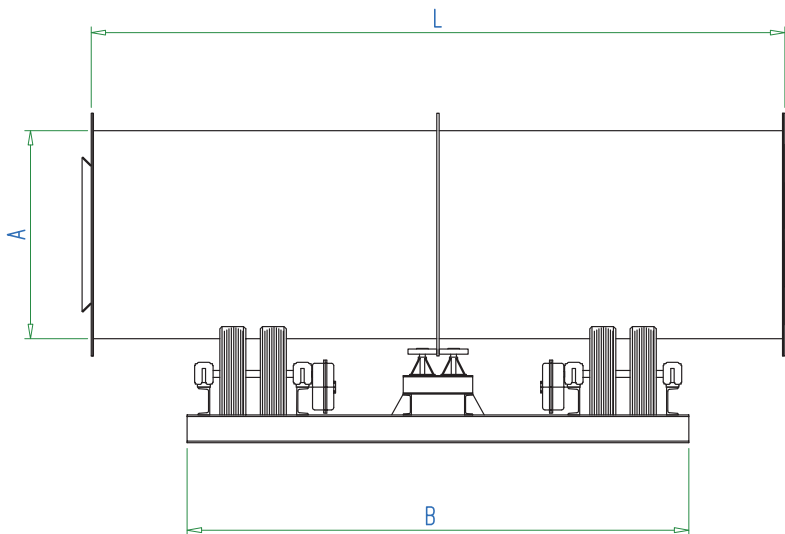
SOLUTION

The inside of the drum is equipped with a separating wall, following which the material is rewashed with clear water in the final mixing phase. A system involving perforated paddles ensures that the material is drained and adequately dewatered. The drum rotates on four pairs of tyres each equipped with a safety plate. Rubber-coated pawl rollers prevent any axial movements. The drum plating unit is fully lined with anti-wear protection. A twin motor with oil-lubricated reduction gear ensures that the tyres run perfectly on the substructure.

BENEFIT

Simple clarification and pre-processing of raw materials.

Technical data								
Model	Dimensions in mm					Max. feeding size mm	Production m ³ /h	Power kW
	L	W	H	A	B			
LSB 16	6000	2300	1630	1600	4250	150	50	7,5+7,5
LSB 18	6000	2440	1780	1800	4295	175	60	11+11
LSB 20	6000	2580	1930	2000	4340	200	80	15+15
LSB 22	6000	2915	2045	2200	4570	250	100	18+18
LSB 24	7000	3100	2160	2400	4800	300	125	22+22



COLOUR

COMEC offers the opportunity to customize both your equipment and production lines with your desired colours, in order to support your own corporate design.

Features and sizes are not binding and Comec-Binder S.r.l. reserves to effect modifications or improvements for commercial and technical reasons at any moment and without notice.