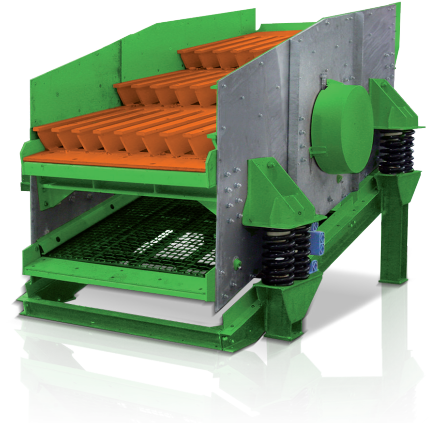


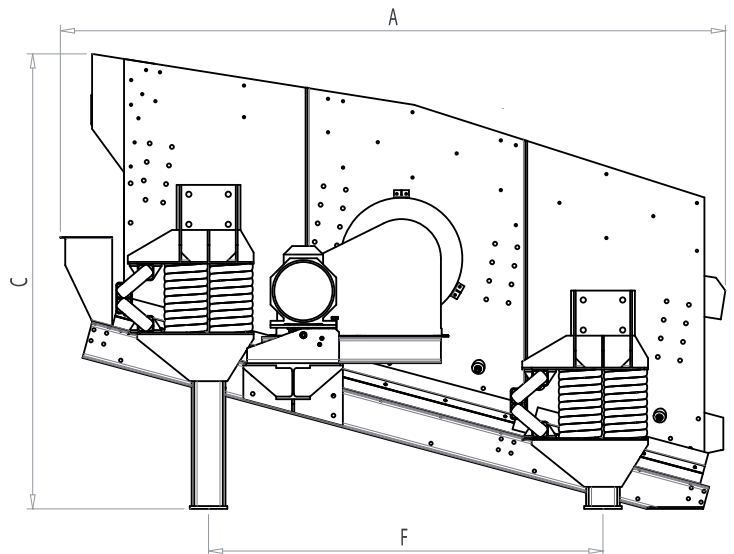
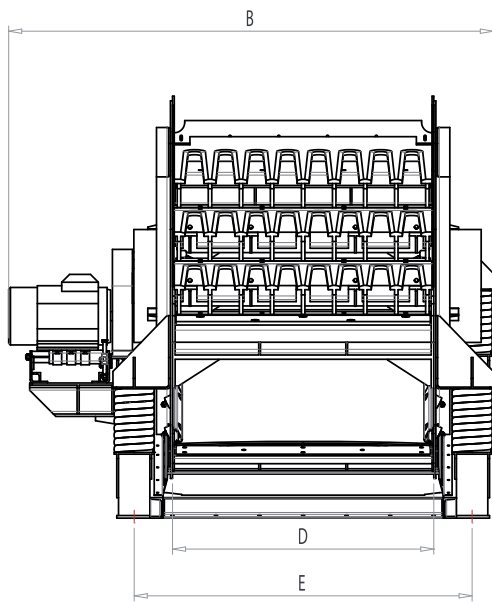
SERIE

VVG

VIBRATING GRIZZLY SCREEN



Technical data								
Model	Dimensions in mm						Power	Weight
	A	B	C	D	E	F	kW	kg
VVG 10 G	2150	945	1960	1000	1440	1350	5.5	2110
VVG 12 G	3000	2255	2210	1200	1650	2080	9.2	3900
VVG 13 G	3115	2355	2210	1300	1750	2080	9.2	4000
VVG 15 G	3545	2785	2430	1500	1940	2100	15	6545
VVG 18 G	4480	3180	2800	1800	2250	3000	30	8850



COLOUR

COMEC offers the opportunity to customize both your equipment and production lines with your desired colours, in order to support your own corporate design.

Features and sizes are not binding and Comec-Binder S.r.l. reserves to effect modifications or improvements for commercial and technical reasons at any moment and without notice.