

SERIES

PU

PRIMARY IMPACT CRUSHER

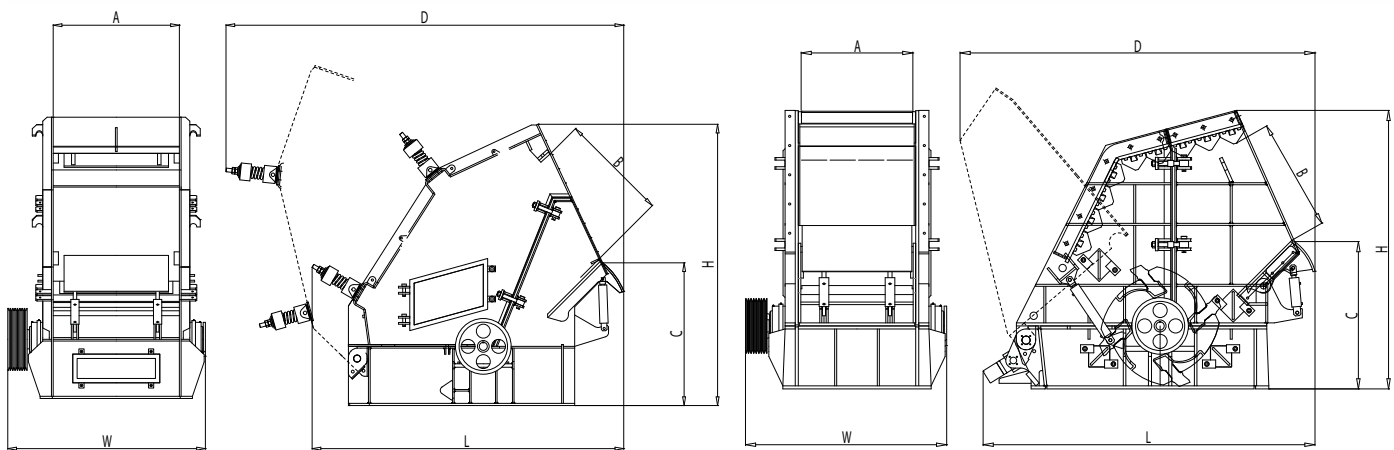


Technical data							
Model	Dimensions in mm						
	L	W	H	A	B	C	D
PU 100.75	2530	1795	1960	1000	700	1250	3470
PU 110.100	3055	1910	2690	1100	1000	1415	4105
PU 140.125	3695	2270	3235	1400	1250	1640	4570

Model	Feed opening	Max. feeding size	Output up to	Rotor speed	Power requirement	Weight
	mm	mm	t/h	n/min	kW	kg
PU 100.75	1000 x 750	500	80 ÷ 100	450 ÷ 750	75 ÷ 132	8100
PU 110.100	1100 x 1100	700	100 ÷ 200	450 ÷ 750	132 ÷ 200	15100
PU 140.125	1400 x 1250	1000	200 ÷ 400	440 ÷ 730	160 ÷ 250	22750

Technical data							
Model	Dimensions in mm						
	L	W	H	A	B	C	D
PU 1100	3285	1985	2740	1100	1000	1500	3535
PU 1400	4325	2350	2740	1400	1290	2230	4090

Model	Feed opening	Max. feeding size	Output up to	Rotor speed	Power requirement	Weight
	mm	mm	t/h	n/min	kW	kg
PU 1100	1100 x 1000	750	120 ÷ 240	450 ÷ 650	132 ÷ 20	18500
PU 1400	1400 x 1290	1000	200 ÷ 350	450 ÷ 650	160 ÷ 250	32500



Model PU 100.75 / PU 110.100 / PU 140.125

Model PU 1100 / PU 1400



COLOUR

COMEC offers the opportunity to customize both your equipment and production lines with your desired colours, in order to support your own corporate design.

Features and sizes are not binding and Comec-Binder S.r.l. reserves to effect modifications or improvements for commercial and technical reasons at any moment and without notice.