

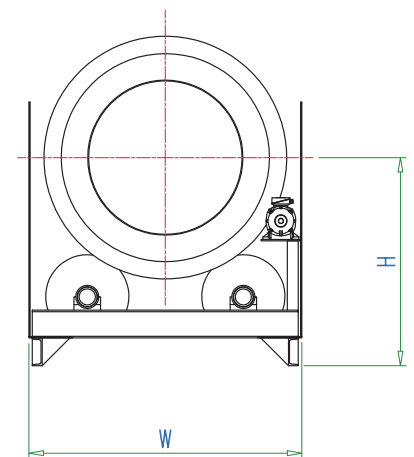
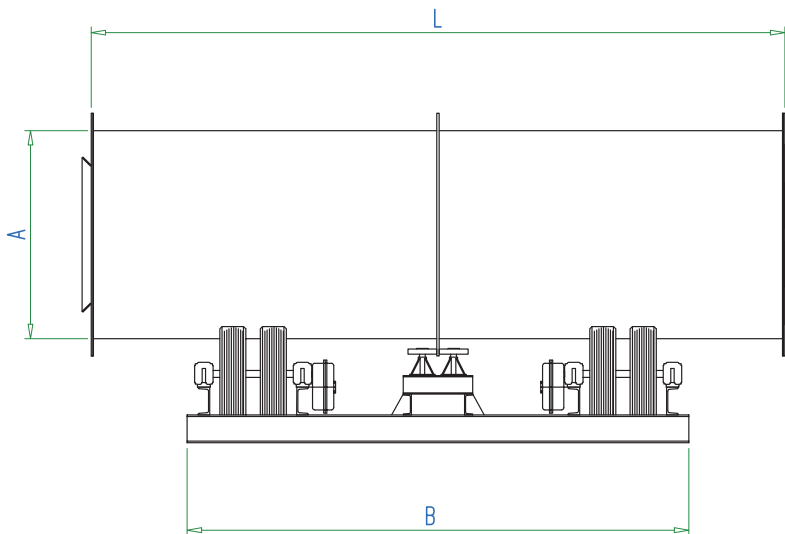
SERIES

LSB

WASHING DRUM



Technical data								
Model	Dimensions in mm					Max. feeding size mm	Production m ³ /h	Power kW
	L	W	H	A	B			
LSB 16	6000	2300	1630	1600	4250	150	50	7,5+7,5
LSB 18	6000	2440	1780	1800	4295	175	60	11+11
LSB 20	6000	2580	1930	2000	4340	200	80	15+15
LSB 22	6000	2915	2045	2200	4570	250	100	18+18
LSB 24	7000	3100	2160	2400	4800	300	125	22+22



COLOUR

COMEC offers the opportunity to customize both your equipment and production lines with your desired colours, in order to support your own corporate design.

Features and sizes are not binding and Comec-Binder S.r.l. reserves to effect modifications or improvements for commercial and technical reasons at any moment and without notice.