

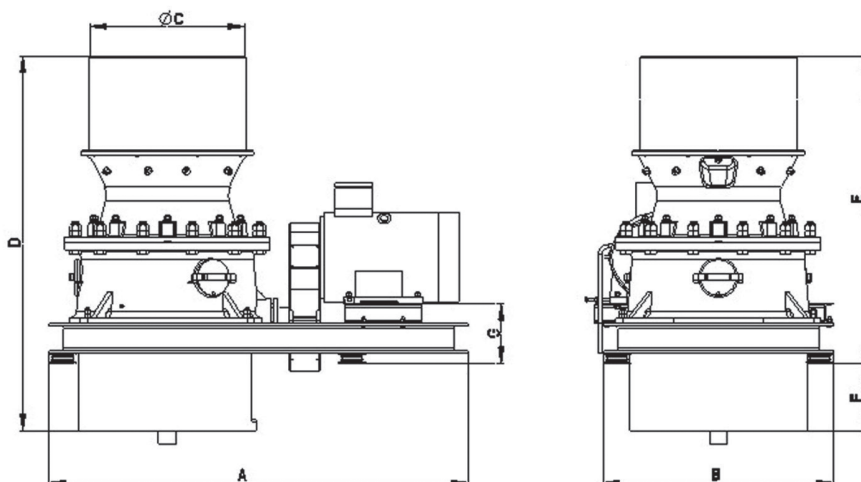
SERIES

HCU

CONE CRUSHER



Technical data												
Model	Dimensions							Feed size mm	CSS range mm	Power installed kW	Capacity t/h	Weight without drive kg
	A	B	C	D	E	F	G					
HCU 7 S	2550	1400	1130	2460	2050	407	352	200	20 - 35	90	80 - 180	5100
HCU 9 S	3000	1800	1210	2875	2308	567	445	220	25 - 50	132	140 - 300	9100
HCU 12 S	3600	2180	1921	3876	3178	698	462	340	25 - 63	200 - 250	270 - 550	21500
HCU 16 S	4640	2720	2400	4765	4020	745	125	440	35 - 65	250 - 315	325 - 620	37400
HCU 7	2550	1400	1056	2264	1847	417	363	35/65/100/160	4 - 35	90	30 - 170	5200
HCU 10	3000	1750	1396	2821	2229	592	443	65/90/150/220	8 - 50	160	90 - 350	12400
HCU 12	3600	2180	1571	3626	2928	698	462	65/100/160	9 - 45	200 - 250	110 - 400	19000
HCU 16	4640	2720	2195	4410	3665	745	125	85/140/200	10 - 45	250 - 315	150 - 500	35000



COLOUR

COMEC offers the opportunity to customize both your equipment and production lines with your desired colours, in order to support your own corporate design.

Features and sizes are not binding and Comec-Binder S.r.l. reserves to effect modifications or improvements for commercial and technical reasons at any moment and without notice.