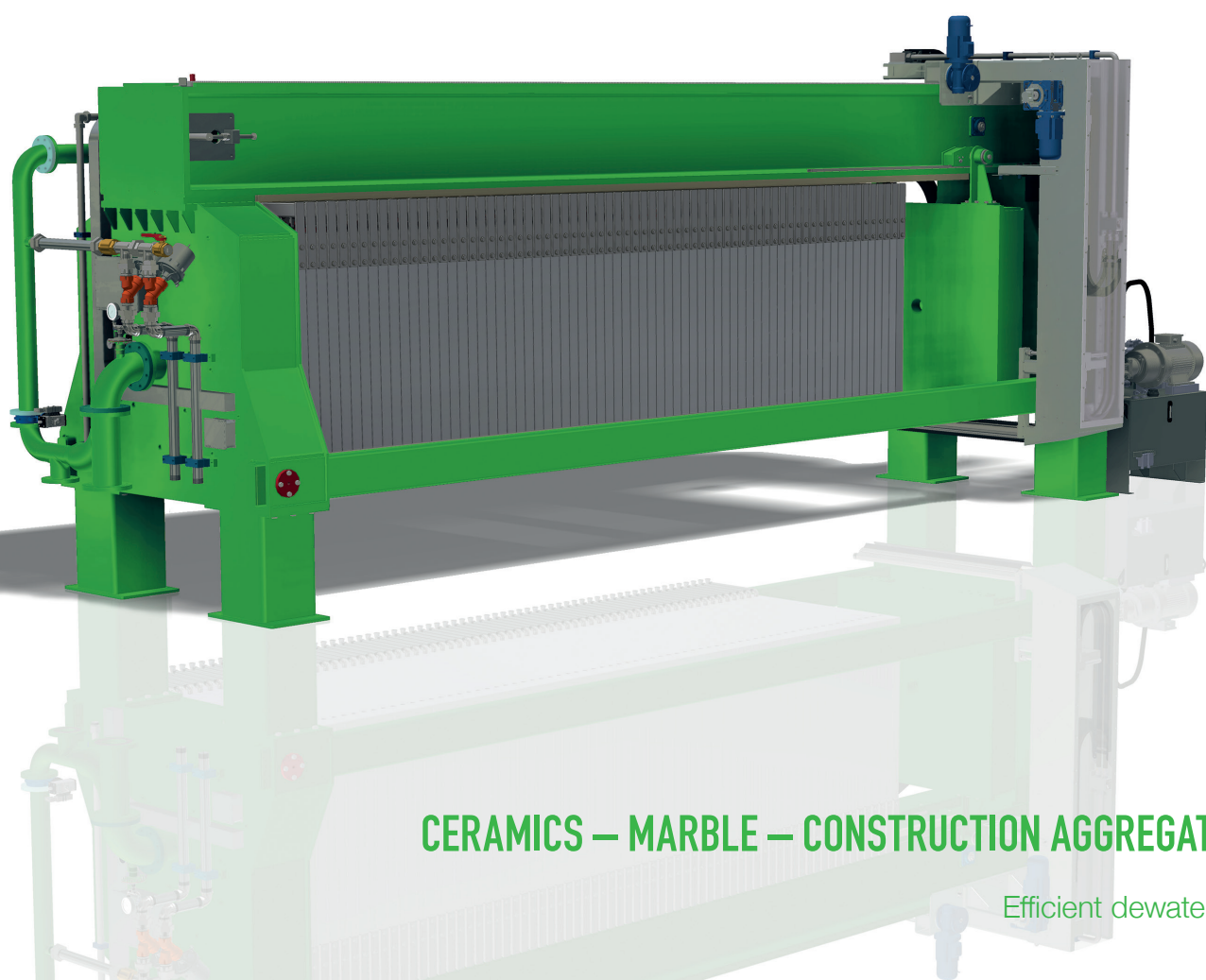


SERIES

FP

FILTER PRESS



CERAMICS — MARBLE — CONSTRUCTION AGGREGATES

Efficient dewatering

COMEC 

www.comec.it

TASK

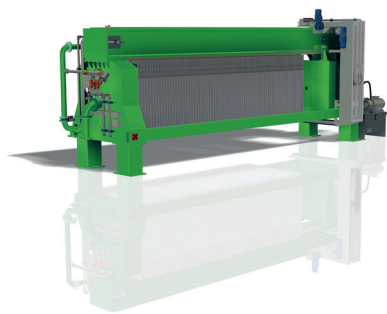
COMEC filter presses are used for the filtering of sludge with a low clay content.

SOLUTION

COMEC chooses the optimal filter press solution for your individual needs out of five different sizes. The system works fully automatically and is additionally equipped with a discharge unit that facilitates the falling down of the dehydrated sludge cakes. An automatic cloth washer and a feed core flushing system are available as an option.

BENEFIT

COMEC filter presses ensure highly efficient dewatering and a high dry substance content. Their long service life and easy maintenance make for a highly economic concept.

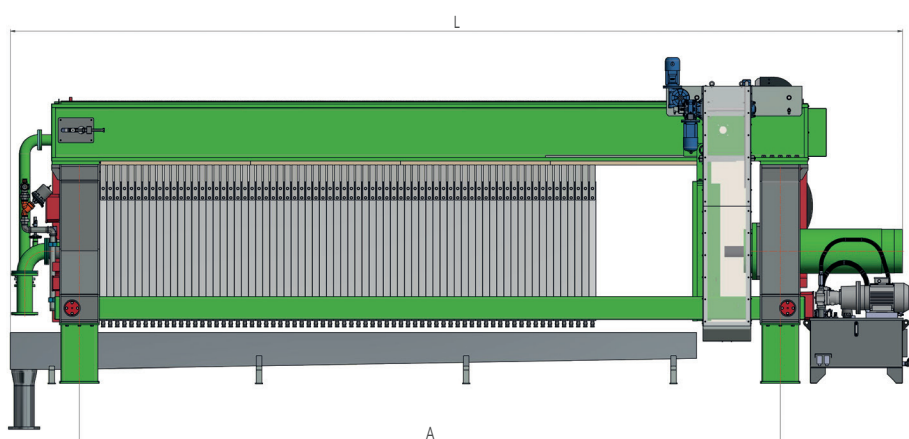
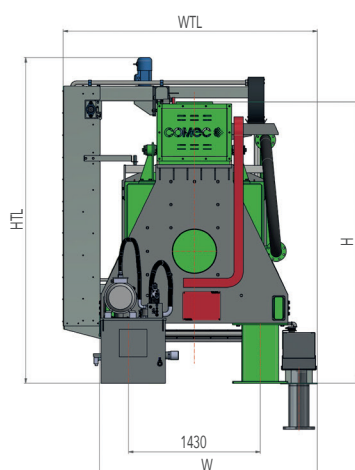


Technical features										
Type T	TL Type (with automatic plates washing)	Quantity of plates	Dimension of plates	Material of plates	Thickness of the panels*	Volume of one panel	Total volume	Filtering surface of one plate	Total net filtering surface	Type of cloth
			mm		mm	lt	lt	m ²	m ²	
FP15/31T	FP15/31TL	31	1500 x 1500	Polypropilene	25÷35	45÷65	1350÷1950	3,6	111,6	Rilsan (or similar)
FP15/50T	FP15/50TL	50					2205÷3185		180,0	
FP15/70T	FP15/70TL	70					3105÷4485		252,0	
FP15/100T	FP15/100TL	100					4455÷6435		360,0	
FP15/120T	FP15/120TL	120					5355÷7735		432,0	
FP20/100T	FP20/100TL	100	2000x2000		25÷30	82÷99	8118÷9801	6,5	650,0	
FP20/120T	FP20/120TL	120					9758÷11781		780,0	

Type	Filtering capacity	Obtainable percentage of dry solid (%) depending on the type of sludge normally up to	Power requirement	Power requirement TL type	Length L	Length A	Width W	Height H	Width W TL type	Height H TL type
	number of cycles/h**	%	kW	kW	mm	mm	mm	mm	mm	mm
FP15/31	1÷5	75÷85	16,0	16,0 + 76,5	6290÷6630	4228÷4568	2350	3060	2740	3330
FP15/50	1÷5				7660÷8220	6790÷7351				
FP15/70	1÷5				9050÷9830	6988÷7768				
FP15/100	1÷4				11180÷12280	9118÷10218				
FP15/120	1÷3				12560÷13860	10498÷11780				
FP20/100	1÷3		30,0	30,0 + 76,5	12780÷13280	10230÷10830	2950	3550	3450	4000
FP20/120	1÷3		14300÷14900	11850÷12450						

* The thickness of the panel is chosen according to the requirements.

** The number of cycles depends on the type of material.



COLOUR

COMEC offers the opportunity to customize both your equipment and production lines with your desired colours, in order to support your own corporate design.

Features and sizes are not binding and Comec-Binder S.r.l. reserves to effect modifications or improvements for commercial and technical reasons at any moment and without notice.