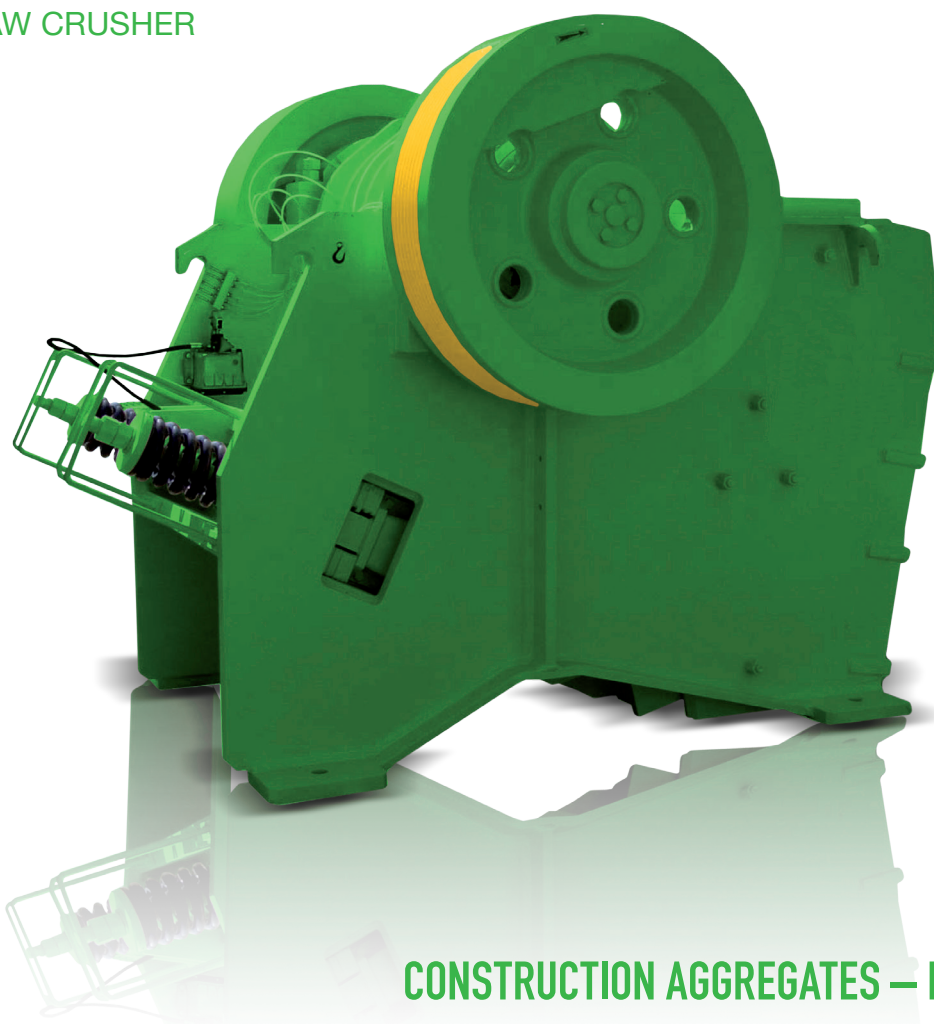


SERIES

P

SINGLE-TOGGLE  
PRIMARY JAW CRUSHER

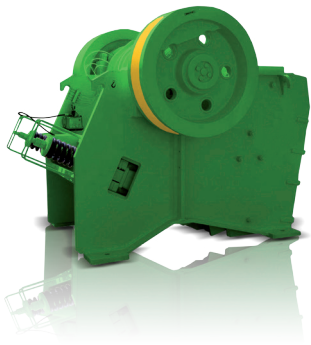


**CONSTRUCTION AGGREGATES – BUILDING WASTE**

Robust and sturdy for heavy-duty applications

**COMEC** 

[www.comec.it](http://www.comec.it)



## TASK

The crushing process is an essential step in the treatment of any bulk material. Primary crushers ideally work reliably and with a minimum of wear-and-tear, even under the most difficult conditions.

## SOLUTION

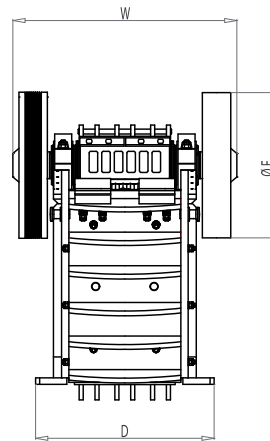
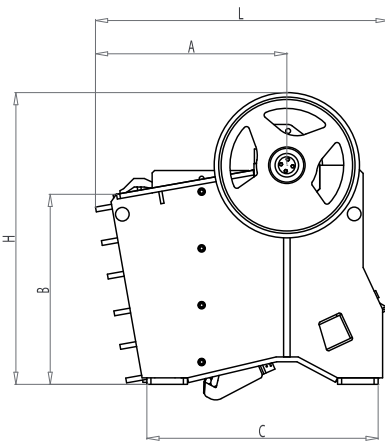
Due to their sophisticated design, COMEC primary jaw crushers ensure a highly efficient performance. Special emphasis was placed both on the design of the crushing space and on an optimal feeding unit. It's size is optimal, and thus able to handle also oversize lumps whose dimensions exceed that of the feed opening.

## BENEFIT

The primary jaw crusher of the P Series is ideal for heavy-duty applications. Its robust design, large diameter of the shaft and reinforced bearings have been shown to withstand even extreme conditions. At the same time, interchangeable jaws ensure maximum service life.

Technical data								
Type	Dimensions in mm							
	L	W	H	A	B	C	D	E
P 90.65	2525	2000	2765	1440	1380	2050	1450	1120
P 900	3140	2330	2775	1780	1740	2100	1560	1450
P 105.75	3050	2230	2210	1630	1670	2260	1640	1120
P 1100	3500	2734	3200	2045	2045	2400	1820	1600
P 1300	3770	2760	3600	2360	2330	2850	2200	1800

Type	Feed opening	Output with setting at mm							Min. opening	Power requirement	Rotor speed	Flywheels diam.	Weight
		60 t/h	80 t/h	120 t/h	160 t/h	200 t/h	300 t/h	350 t/h					
	mm								mm	kW	n/min	mm	kg
P 90.65	900x650	80	130	160	-	-	-	-	60	55-75	265	1120	12300
P 900	920x750	-	160	225	275	320	-	-	80	55-75	250	1450	20300
P 105.75	1050x750	-	160	225	275	320	-	-	80	75-90	250	1120	18200
P 1100	1120x900	-	-	240	305	355	-	-	120	75-110	240	1600	30100
P 1300	1300x1100	-	-	-	340	385	480	-	160	110-132	220	1800	44200



## COLOUR

COMEC offers the opportunity to customize both your equipment and production lines with your desired colours, in order to support your own corporate design.

Features and sizes are not binding and Comec-Binder S.r.l. reserves to effect modifications or improvements for commercial and technical reasons at any moment and without notice.