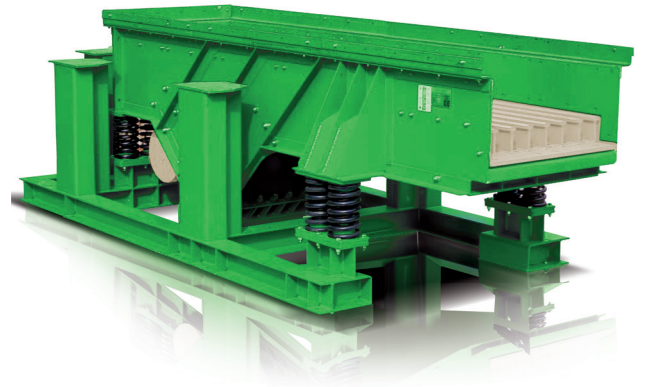


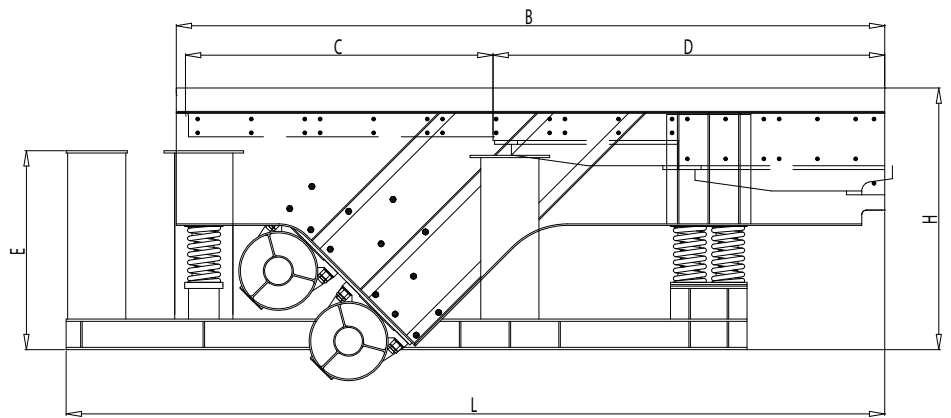
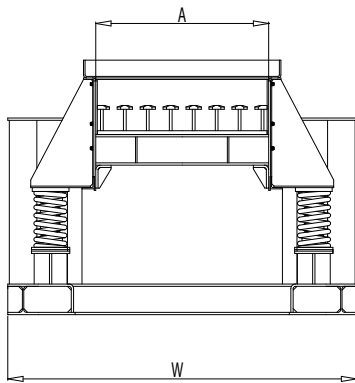
SERIES

AVG

GRIZZLY FEEDER



Technical data														
Model	Dimensions								Grizzly section mm	Max. Output m³/h	Max. feeding size mm	Power kW	Weight kg	
	L	W	H	A	B	C	D	E						
AVG 901	3970	2100	1615	930	3350	2000	1350	1240	1200	190	750	7.5 + 7.5	6070	
AVG 902	5170	2100	1615	910	4550	2000	2550	1240	2400	190	750	7.5 + 7.5	7250	
AVG 1101	4150	2280	1675	1110	3350	2000	1350	1300	1200	250	900	9.6 + 9.6	7300	
AVG 1102	5350	2280	1675	1110	4550	2000	2550	1300	2400	250	900	10.6 + 10.6	8900	
AVG 1301	4250	2460	1710	1310	3350	2000	1350	1340	1200	310	1050	22	9280	
AVG 1302	5450	2460	1710	1310	4550	2000	2550	1340	2400	310	1050	13 + 13	11085	
AVG 1302 A/L	6380	2460	1960	1310	5500	2930	2550	1585	2400	310	1050	13 + 13	13950	
AVG 1403	6820	3200	2005	1410	5510	2400	3110	1650	2950	400	1200	19 + 19	14100	



COLOUR

COMEC offers the opportunity to customize both your equipment and production lines with your desired colours, in order to support your own corporate design.

Features and sizes are not binding and Comec-Binder S.r.l. reserves to effect modifications or improvements for commercial and technical reasons at any moment and without notice.