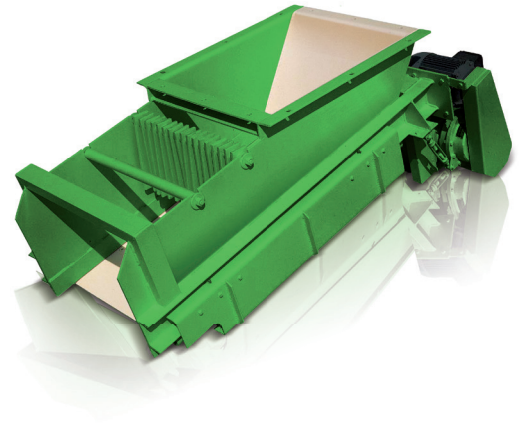


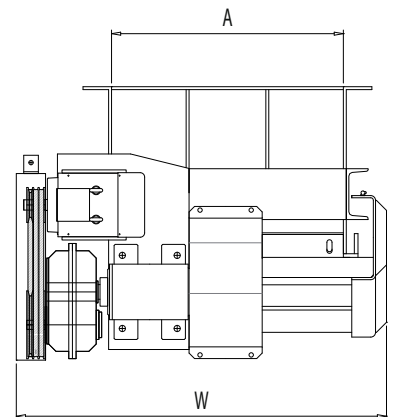
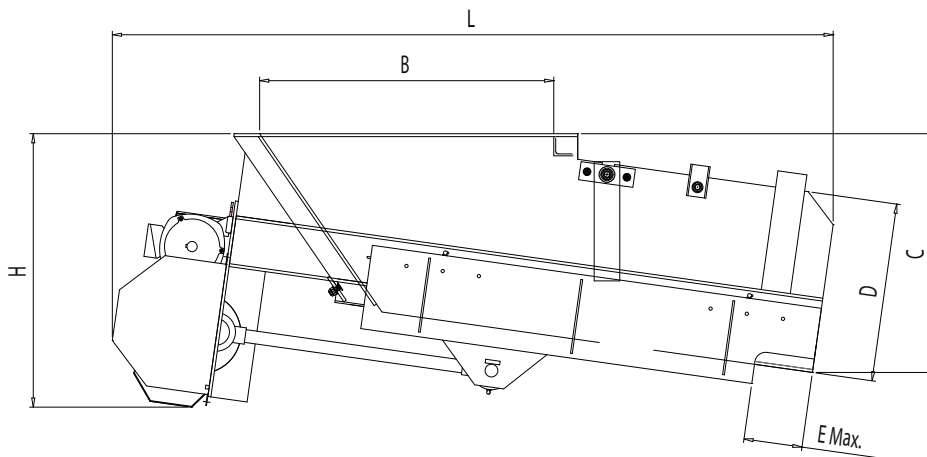
SERIES

ACL

RECIPROCATING FEEDER



Technical data													
Model	Opening Discharge mm	Dimensions in mm								Max. size mm	Output m³/h	Power Kw	Weight kg
		L	W	H	A	B	C	D	E				
ACL 50	500x400	1680	880	635	500	650	545	400	160	200	30-60	1,5	450
ACL 65	650x500	1945	1000	735	650	800	665	500	160	300	40-100	2,2	630
ACL 80	800x675	2380	1160	950	800	1000	885	675	160	375	50-150	4	960
ACL 100	1000x675	2380	1360	950	1000	1000	885	675	160	450	60-220	5,5	1080
ACL 120	1200x675	2380	1560	950	1200	1200	885	675	160	450	80-300	7,5	1240



COLOUR

COMEC offers the opportunity to customize both your equipment and production lines with your desired colours, in order to support your own corporate design.

Features and sizes are not binding and Comec-Binder S.r.l. reserves to effect modifications or improvements for commercial and technical reasons at any moment and without notice.